



ELECTROUSTIC

DISTRIBUTION OF CONNECTIVITY SOLUTIONS

+44 (0)1908 307200 www.electroustic.co.uk sales@electroustic.co.uk

INB Series Connectors

In Accordance With VG95234



Table of Contents

Page

Ordering Information	26
Technical Specifications	26

INB Series

Wall Mounting Receptacle (INB00A)	27
In-Line Receptacle (INB01A)	27
Box Mounting Receptacle (INB02A)	28
Straight Plug (INB06A)	28
Right Angle Plug (INB08A)	29

Accessories

Cable Clamp (MS3057A)	29
-----------------------	----

Other Connector & Cable Assembly	31
----------------------------------	----

Technical Data

[Materials & Finishes]

Shell, Endbell	Aluminum alloy / Olive drab chromate coating over cadmium or zinc plating
Insulator	Synthetic rubber
Contact	Copper alloy / Silver plating
Roller Stud, Stud Pin	Stainless steel

[Characteristics]

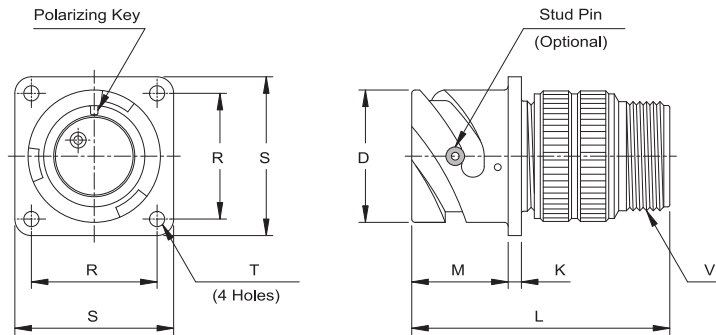
Insulator Resistance	Min. 5000 MΩ at 77°F (+25°C) per MIL-DTL-5015, 3.18
Operating Temperature	-67°F (-55°C) to +257°F (+125°C)
Durability	500 cycles of mating / unmating operations (to VG95234)
Contact Type	Solder or crimp type

Service Rating	Operating Voltage	Operating Voltage	Test Voltage	Air Spacing	Creepage
	DC V	AC V r.m.s.	AC V r.m.s.	Nominal (Inches)	Nominal (Inches)
Inst.	250	200	1000	-	1/16
A	700	500	2000	1/16	1/8
D	1250	900	2800	1/8	3/16
E	1750	1250	3500	3/16	1/4
B	2450	1750	4500	1/4	5/16
C	4200	3000	7000	5/16	1

Contact Size	Contact Resistance	Test Current	Potential Drop
	Milliohm Max.	(Amps)	(Millivolts)
16	16	13	49
12	3	23	42
8	1	46	26
4	0.5	80	23
0	0.2	150	21

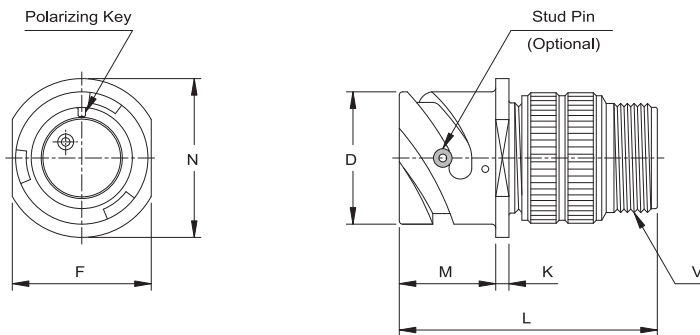
Contact Size	Axial Load		Separation Force Min.	
	Newton	Lbs.	Newton	Lbs.
	16	44	10	1
12	67	15	2	0.50
8	89	20	3	0.75
4	89	20	4	1.00
0	111	25	9	2.00

INB00A Wall Mounting Receptacle



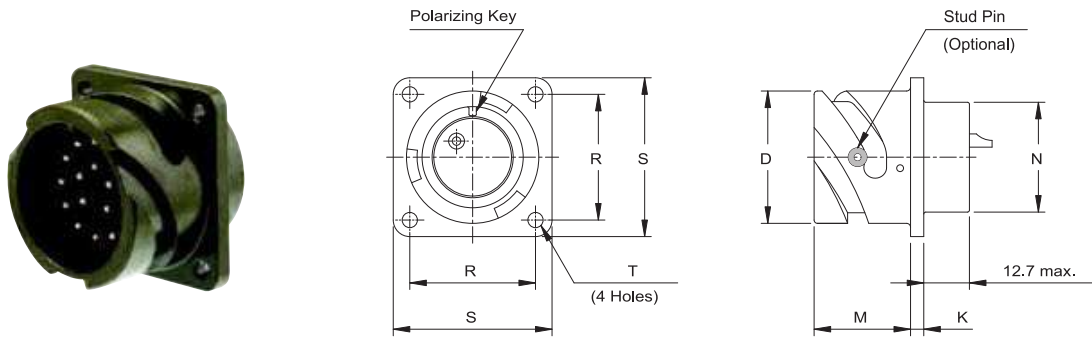
Part No.	D dia. +0.00 -0.15	K min./max.	L Ref.	M +0.79 -0.00	R ±0.12	S ±0.79	T dia. +0.25 -0.12	V Thread Class 2A
INB00A 10SL-*	18.20	1.58 / 3.96	38.88	14.28	18.26	25.40	3.05	5/8-24 UNEF
INB00A 14S-*	24.60	1.58 / 3.96	42.87	14.28	23.01	30.18	3.05	3/4-20 UNEF
INB00A 16S-*	27.40	1.58 / 3.96	42.87	14.28	24.61	32.54	3.05	7/8-20 UNEF
INB00A 16-*	27.40	1.58 / 3.96	52.37	19.05	24.61	32.54	3.05	7/8-20 UNEF
INB00A 18-*	30.80	2.39 / 5.15	52.37	19.05	26.97	34.93	3.05	1-20 UNEF
INB00A 20-*	34.20	2.39 / 5.15	55.57	19.05	29.36	38.10	3.05	1 3/16-18 UNEF
INB00A 22-*	37.40	2.39 / 5.15	55.57	19.05	31.75	41.28	3.05	1 3/16-18 UNEF
INB00A 24-*	40.90	2.39 / 5.15	58.72	20.63	34.93	44.45	3.73	1 7/16-18 UNEF
INB00A 28-*	46.70	2.39 / 5.15	58.72	20.63	39.67	50.80	3.73	1 7/16-18 UNEF
INB00A 32-*	53.40	3.18 / 9.11	61.92	22.23	44.45	57.15	4.39	1 3/4-18 UNS
INB00A 36-*	59.60	3.18 / 9.11	61.92	22.23	49.23	63.50	4.39	2-18 UNS

INB01A In-Line Receptacle



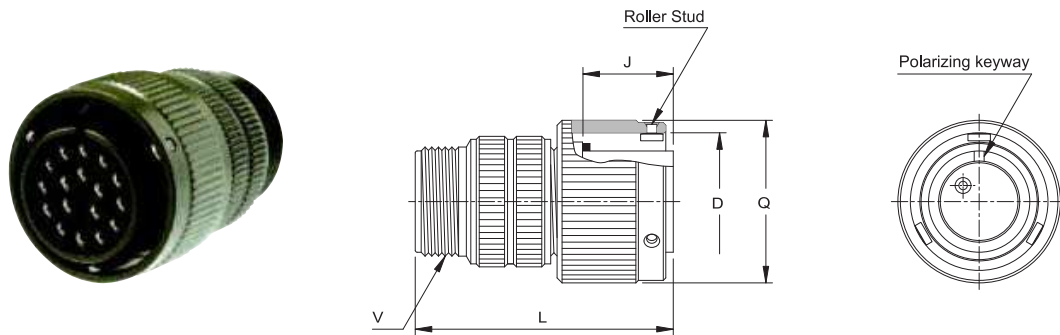
Part No.	D dia. +0.00 -0.15	F Ref.	K min./max.	L Ref.	M +0.79 -0.00	N dia. max.	V Thread Class 2A
INB01A 10SL-*	18.20	16.66	1.58 / 3.96	38.88	14.28	24.61	5/8-24 UNEF
INB01A 14S-*	24.60	22.61	1.58 / 3.96	42.87	14.28	29.36	3/4-20 UNEF
INB01A 16S-*	27.40	25.78	1.58 / 3.96	42.87	14.28	31.75	7/8-20 UNEF
INB01A 16-*	27.40	25.78	1.58 / 3.96	52.37	19.05	31.75	7/8-20 UNEF
INB01A 18-*	30.80	28.96	2.39 / 5.15	52.37	19.05	34.13	1-20 UNEF
INB01A 20-*	34.20	32.13	2.39 / 5.15	55.57	19.05	37.31	1 3/16-18 UNEF
INB01A 22-*	37.40	35.31	2.39 / 5.15	55.57	19.05	40.48	1 3/16-18 UNEF
INB01A 24-*	40.90	38.48	2.39 / 5.15	58.72	20.63	43.66	1 7/16-18 UNEF
INB01A 28-*	46.70	44.83	2.39 / 5.15	58.72	20.63	50.01	1 7/16-18 UNEF
INB01A 32-*	53.40	51.18	3.18 / 9.11	61.92	22.23	56.36	1 3/4-18 UNS
INB01A 36-*	59.60	57.66	3.18 / 9.11	61.92	22.23	62.71	2-18 UNS

INB02A Box Mounting Receptacle



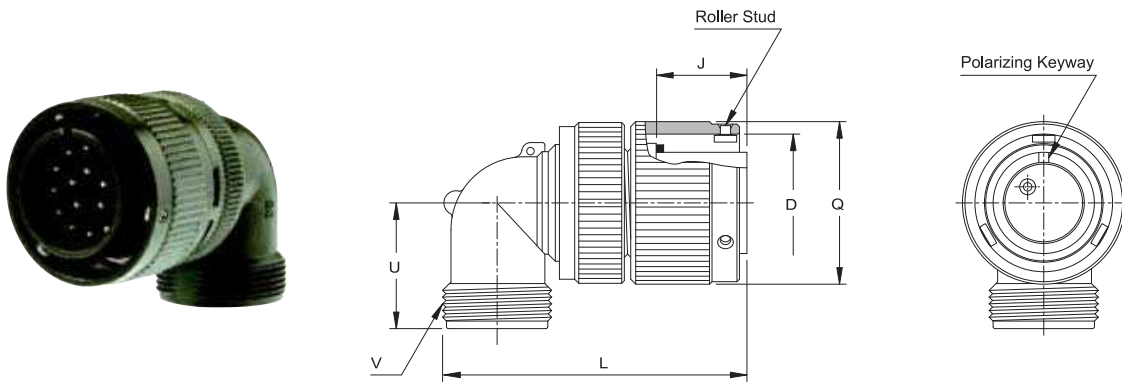
Part No.	D dia. +0.00 -0.15	K min./max.	M +0.79 -0.00	N dia. +0.00 -4.78	R ±0.12	S ±0.79	T dia. +0.25 -0.12
INB02A 10SL.*	18.20	1.58 / 3.96	14.28	19.86	18.26	25.40	3.05
INB02A 14S.*	24.60	1.58 / 3.96	14.28	23.01	23.01	30.18	3.05
INB02A 16S.*	27.40	1.58 / 3.96	14.28	26.21	24.61	32.54	3.05
INB02A 16.*	27.40	1.58 / 3.96	19.05	26.21	24.61	32.54	3.05
INB02A 18.*	30.80	2.39 / 5.15	19.05	29.36	26.97	34.93	3.05
INB02A 20.*	34.20	2.39 / 5.15	19.05	32.56	29.36	38.10	3.05
INB02A 22.*	37.40	2.39 / 5.15	19.05	35.71	31.75	41.28	3.05
INB02A 24.*	40.90	2.39 / 5.15	20.63	38.91	34.93	44.45	3.73
INB02A 28.*	46.70	2.39 / 5.15	20.63	45.26	39.67	50.80	3.73
INB02A 32.*	53.40	3.18 / 9.11	22.23	51.61	44.45	57.15	4.39
INB02A 36.*	59.60	3.18 / 9.11	22.23	57.96	49.23	63.50	4.39

INB06A Straight Plug



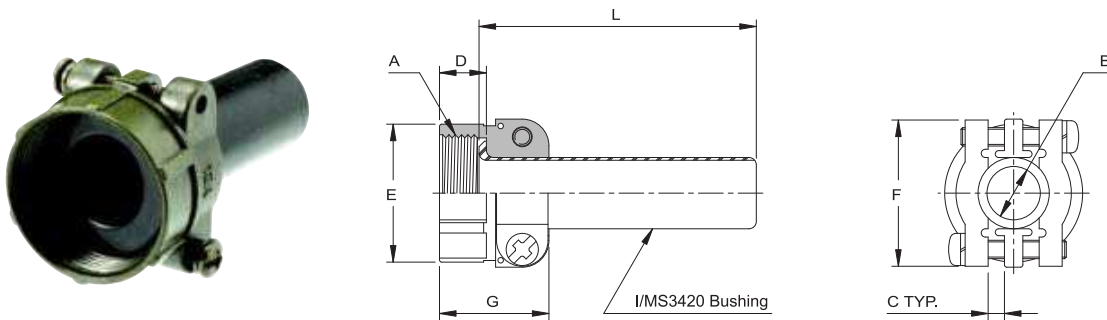
Part No.	D dia. +0.2 -0.0	J ±0.12	L Ref.	Q dia. Ref.	V Thread Class 2A
INB06A 10SL.*	18.4	13.49	38.88	22.8	5/8-24 UNEF
INB06A 14S.*	24.8	13.49	42.87	29.2	3/4-20 UNEF
INB06A 16S.*	27.6	13.49	42.87	32.0	7/8-20 UNEF
INB06A 16.*	27.6	18.26	52.37	32.0	7/8-20 UNEF
INB06A 18.*	31.1	18.26	52.37	36.5	1-20 UNEF
INB06A 20.*	34.5	18.26	55.57	39.9	1 3/16-18 UNEF
INB06A 22.*	37.7	18.26	55.57	43.1	1 3/16-18 UNEF
INB06A 24.*	41.2	18.26	58.72	46.5	1 7/16-18 UNEF
INB06A 28.*	47.0	18.26	58.72	53.4	1 7/16-18 UNEF
INB06A 32.*	53.7	18.26	61.92	60.1	1 3/4-18 UNS
INB06A 36.*	59.9	18.26	61.92	66.3	2-18 UNS

INB08A Right Angle Plug



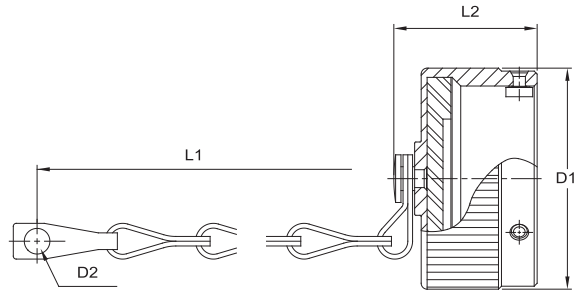
Part No.	D dia. +0.2 -0.0	J ±0.12	L Ref.	Q dia. Ref.	U max.	V Thread Class 2A
INB08A 10SL-*	18.4	13.49	46.02	22.8	25.40	5/8-24 UNEF
INB08A 14S-*	24.8	13.49	53.97	29.2	28.57	3/4-20 UNEF
INB08A 16S-*	27.6	13.49	60.32	32.0	30.17	7/8-20 UNEF
INB08A 16-*	27.6	18.26	65.07	32.0	30.17	7/8-20 UNEF
INB08A 18-*	31.1	18.26	68.27	36.5	33.32	1-20 UNEF
INB08A 20-*	34.5	18.26	76.98	39.9	34.92	1 3/16-18 UNEF
INB08A 22-*	37.7	18.26	76.98	43.1	34.92	1 3/16-18 UNEF
INB08A 24-*	41.2	18.26	86.51	46.5	39.67	1 7/16-18 UNEF
INB08A 28-*	47.0	18.26	86.51	53.4	39.67	1 7/16-18 UNEF
INB08A 32-*	53.7	18.26	95.25	60.1	47.62	1 3/4-18 UNS
INB08A 36-*	59.90	18.26	100.2	66.3	52.37	2-18 UNS

I/MS3057-■ ■ A Cable Clamp



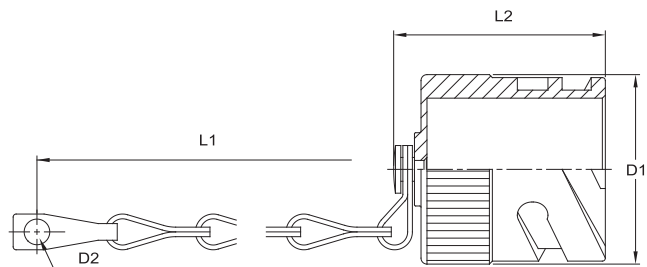
Part No.	Connector Shell Size	A Thread Class 2B	B dia ±0.41	C TYP	D	E dia. ±0.79	F ±0.79	G ±0.79	L Ref.	Bushing Ref.
I/MS3057 - 4A	10SL, 12S & 12	5/8-24 UNEF	5.59	1.57	10.31	20.62	22.23	20.62	69.9	MS3420 - 4
I/MS3057 - 6A	14S & 14	3/4-20 UNEF	7.92	1.98	10.31	24.61	26.97	22.22	66.7	MS3420 - 6
I/MS3057 - 8A	16S & 16	7/8-20 UNEF	11.10	2.77	10.31	27.79	29.36	23.82	63.5	MS3420 - 8
I/MS3057 - 10A	18	1-20 UNEF	14.27	3.18	10.31	30.18	31.75	23.82	60.3	MS3420 - 10
I/MS3057 - 12A	20, 22	1 3/16-18 UNEF	15.88	3.96	10.31	34.93	37.31	23.82	57.2	MS3420 - 12
I/MS3057 - 16A	24, 28	1 7/16-18 UNEF	19.05	4.78	10.31	42.06	42.88	26.18	54.0	MS3420 - 16
I/MS3057 - 20A	32	1 3/4-18 UNS	23.80	6.35	11.91	51.59	51.59	27.78	50.8	MS3420 - 20
I/MS3057 - 24A	36	2-18 UNS	31.75	7.54	13.49	56.36	57.94	29.36	47.6	MS3420 - 24

INB25043 Protective Cover for Receptacles



INC Part No.	VG95234 Part No.	Shell Size Connector	D1 dia. max.	D2 dia. +0.6 -0.0	L1 min.	L2 max.
INB25043 - 10SL	VG95234KR10SL	10SL	23.5	4.3	90.0	30.3
INB25043 - 14S	VG95234KR14S	14S	30.5	4.3	90.0	30.0
INB25043 - 16S	VG95234KR16S	16S	33.0	4.3	90.0	30.3
INB25043 - 16	VG95234KR16	16	33.0	4.3	100.0	35.0
INB25043 - 18	VG95234KR18	18	37.5	4.3	100.0	35.0
INB25043 - 20	VG95234KR20	20	41.0	4.3	115.0	35.0
INB25043 - 22	VG95234KR22	22	44.0	4.3	115.0	35.0
INB25043 - 24	VG95234KR24	24	47.5	4.3	115.0	35.0
INB25043 - 28	VG95234KR28	28	54.5	4.3	160.0	35.0
INB25043 - 32	VG95234KR32	32	61.0	4.3	160.0	35.0
INB25043 - 36	VG95234KR36	36	67.5	4.3	160.0	35.0

INB25042 Protective Cover for Plugs



INC Part No.	VG95234 Part No.	Shell Size Connector	D1 dia. max.	D2 dia. +0.6 -0.0	L1 min.	L2 max.
INB25042 - 10SL	VG95234KB10SL	10SL	21.0	4.3	90.0	34.0
INB25042 - 14S	VG95234KB14S	14S	27.5	4.3	100.0	34.0
INB25042 - 16S	VG95234KB16S	16S	30.0	4.3	100.0	34.0
INB25042 - 16	VG95234KB16	16	30.0	4.3	115.0	42.0
INB25042 - 18	VG95234KB18	18	33.5	4.3	115.0	42.0
INB25042 - 20	VG95234KB20	20	37.0	4.7	130.0	42.0
INB25042 - 22	VG95234KB22	22	40.0	4.7	130.0	42.0
INB25042 - 24	VG95234KB24	24	43.5	4.7	130.0	42.0
INB25042 - 28	VG95234KB28	28	49.5	4.7	190.0	42.0
INB25042 - 32	VG95234KB32	32	56.0	4.7	190.0	42.0
INB25042 - 36	VG95234KB36	36	62.5	4.7	190.0	42.0

Other Connector



Cable Assembly

